



Tank Cleaning Equipment

The OrbiJet S-75 is a rotating spray ball, which provides a combination of lower flow and higher level of fluid projection when compared to static spray balls. The following minimum benefits can be expected when compared to traditional static spray balls:

- Reduced flow rates
- Improved cascading and wetting action
- Increased fluid projection (distance)
- Improved fluid distribution/uniformity
- Improved washing of the installation assembly

Applications:

The OrbiJet S-75 can be used in all types of industries where a combination of uniformed fluid distribution and improved fluid stream velocities over that of static spray balls is desired. The OrbiJet S-75 is currently used in the following industries:

- Food
- Pharmaceutical
- Brewing
- Soft Drink
- Chemical Processing
- Transportation
- Paper and Pulp
- Dairy

Typical Tank Size:

- 5-3000 U.S. Gallons
- Placement should be properly reviewed to avoid shadow areas. Consult with OrbiJet for assistance when required.

How The S-75 Works:

The OrbiJet S-75 is known generically as a Rotating Spray Ball. In essence, it is an elongated ball that is rotated by the fluid that flows through it. There is no turbine or gearing. The rotation is caused by slightly offsetting the fluid ejection slots to create a reaction that will set the ball in rotation. Lubrication is derived from the fluid that flows through it. All surfaces of the OrbiJet S-75 are constantly wetted during operation.

Options:

- Hastelloy (Model H-75)
- Surface Finishes
  - <20 Ra $\mu$
  - Electropolishing
- Installation Assemblies

Spray Patterns:

- 360°
- 180°
- 120°

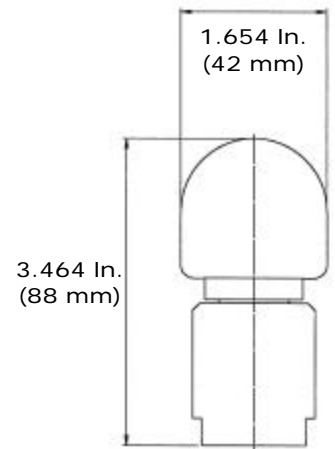


Specifications:

Materials of Construction	<ul style="list-style-type: none"> <li>• 316L Stainless Steel</li> <li>• SAF 2250</li> </ul>
Weight	<ul style="list-style-type: none"> <li>• .60 lbs (nominal)</li> </ul>
Pressure Range	<ul style="list-style-type: none"> <li>• Maximum: 175 PSI</li> <li>• Standard: 35-50 PSI</li> </ul>
Operating Temperature	<ul style="list-style-type: none"> <li>• In Operation: 210° F</li> <li>• Stationary: 400° F</li> </ul>
Quality Standard	<ul style="list-style-type: none"> <li>• ISO 9001</li> </ul>
Surface Finish (Standard)	<ul style="list-style-type: none"> <li>• <math>\leq 25</math> Ra<math>\mu</math></li> </ul>
Standard Connections	<ul style="list-style-type: none"> <li>• .75" NPT or BSP Female Pipe Threads</li> <li>• Clip-On; 1.00" Tube</li> <li>• Weld Joint; 1.00" Tube</li> </ul>
Performance Out-Put	<ul style="list-style-type: none"> <li>• See performance curves on the back of this data sheet.</li> </ul>

Dimensional Information:

Dimensional information shown is nominal. If detailed dimensional information is required, please contact the OrbiJet office and request our digital specification drawing.



Global Trading Services, Ltd.

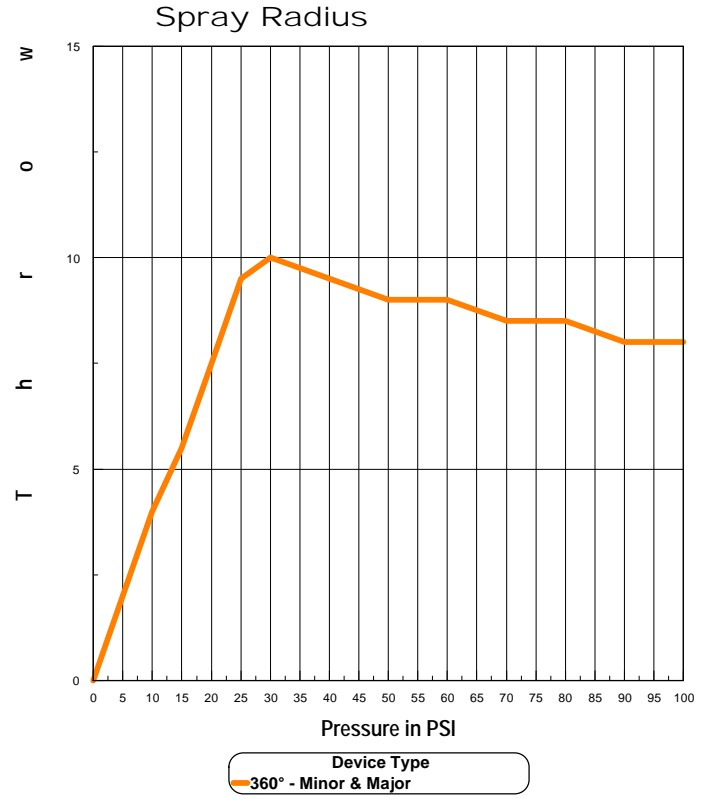
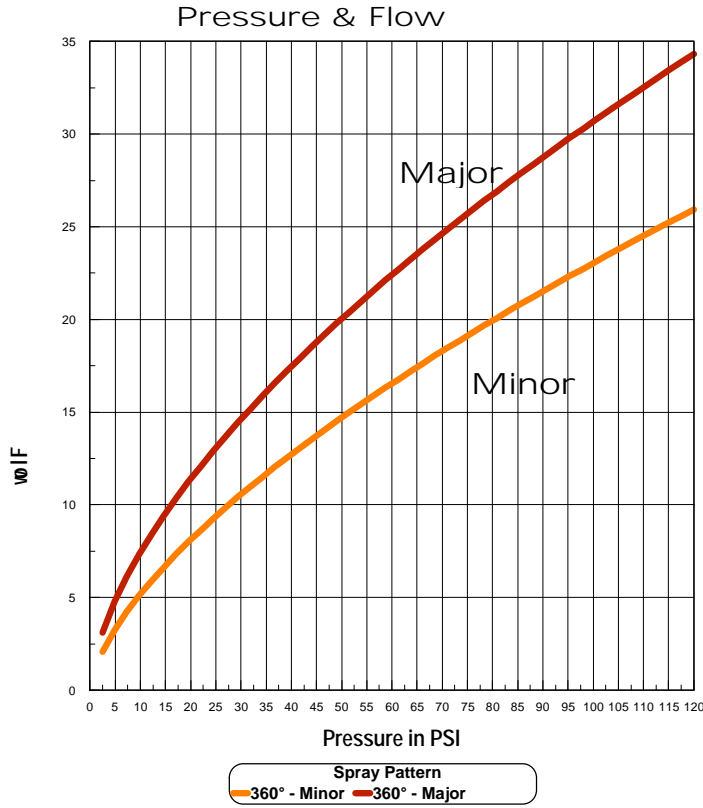
1316 A Virginia Avenue • South Houston, Texas 77587 • USA

Phone (Toll Free): 888.946.7499 • Fax: 713.946.3722 • Web Site: [www.globaltradingltd.com](http://www.globaltradingltd.com) • E-Mail: [sales@globaltradingltd.com](mailto:sales@globaltradingltd.com)

S75-06142000

n  
e  
L

## Performance Curves



w  
o  
r  
h  
T

Contact OrbiJet for a complete set of curves on the S-75 in 8.50" x 11.00" format and in digital format (Adobe Acrobat).

